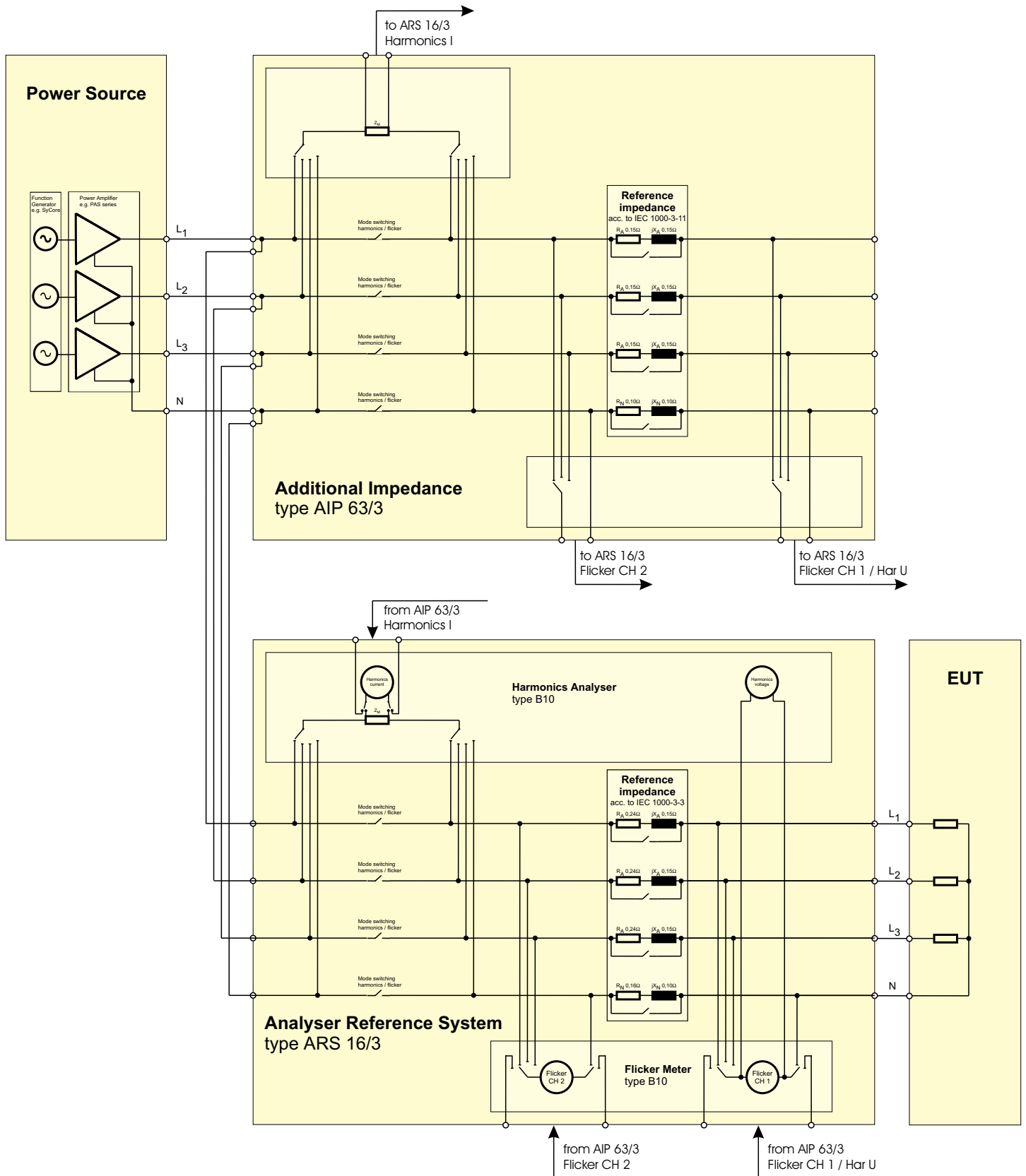
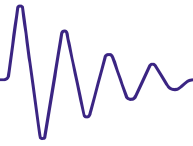


Analyser Reference System

measurements according to EN 61000-3-3

(currents up to 16A)





Analyser Reference System

measurements according to EN 61000-3-11

(currents >16A up to 75A)

