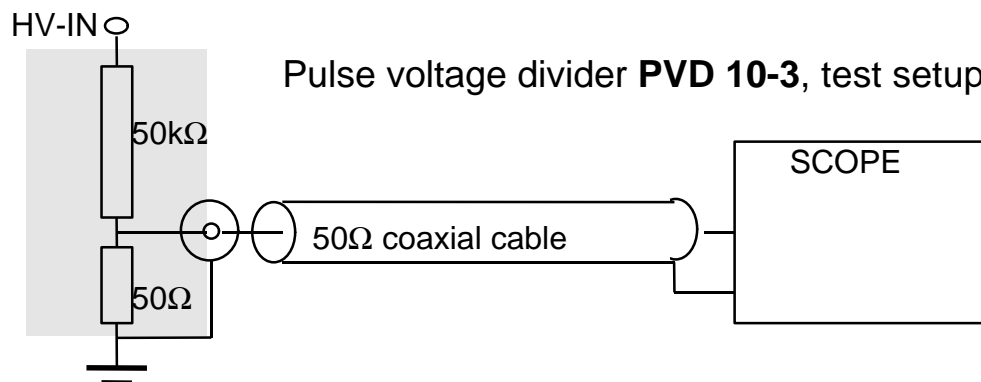


# SURGE CALIBRATION KIT

# SCK 105

The Surge Calibration Kit has been designed to measure the pulse output voltage and the pulse output current of surge generators, e.g. a combination wave generator. It essentially consists of a pulse voltage divider, a pulse current measuring resistor and a double shielded coaxial cable.

The Broad-band pulse voltage divider, type PVD 10-3 and the pulse current measuring resistor, PSM 10-2 are state-of-the-art measuring equipment whose excellent high-frequency transmission characteristics can be fully exploited only if properly operated and if all aspects typically encountered in the sub-microsecond time region, e.g. appropriate grounding, transmission line characteristics of leads, are fully considered.

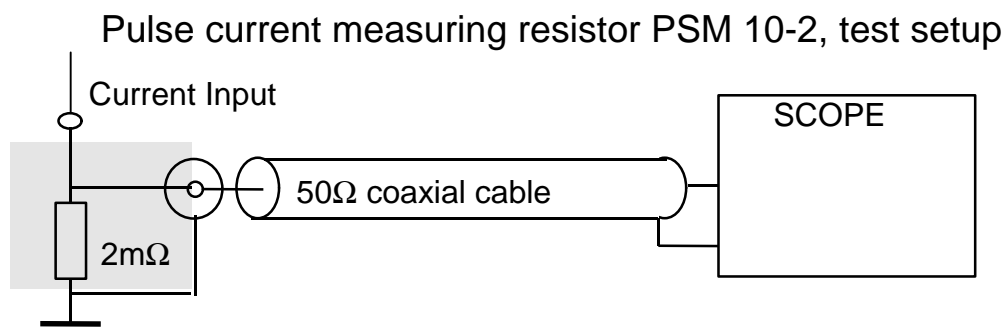


### Technical specification

Input voltage, 1.2 / 50  $\mu$ s wave form  
 Input power dissipation  
 Divider ratio  
 Bandwidth  
 Rise time

### PVD 10-3

12 kV max  
 2.5 W  
 1000:1  $\pm$  1%  
 0 - 10 MHz  
 < 35 ns



### Technical specification

Input current, 8 / 20  $\mu$ s wave form  
 Input power dissipation  
 Measuring Resistance Value  
 Bandwidth  
 Rise time

### PSM 10-2

10 kA max  
 1.0 W  
 2.0 m $\Omega$   $\pm$  1%  
 0 - >10 MHz  
 < 35 ns

Technical data subject to change

SCK 105e.DOC 2/97

Dimensions:

